

GBOS Folding Bracket

Features

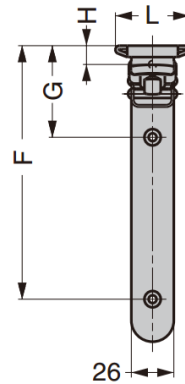
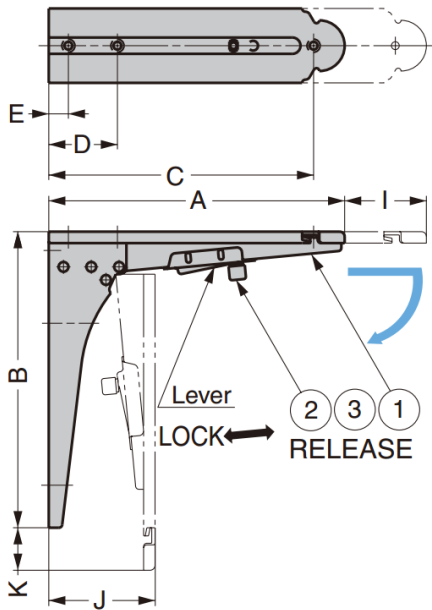
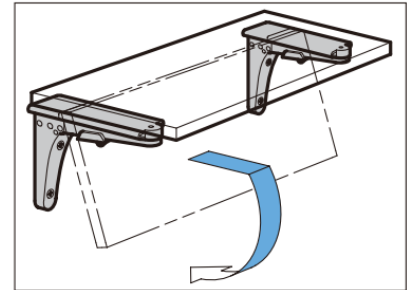
- With locking lever to prevent unexpected folding

Notes

- Hold the shelf board when folding. Improper use or load application may cause accidental injury or damage

Parts Includes

- **GBOS-180:**
 - Countersunk head tapping screw 4×20 (SUS)
 - Pan head tapping screw 4.5×25 (SUS)
 - Raised countersunk head tapping screw 4.5×25 (SUS)
 - Raised countersunk head tapping screw 4.5×50 (SUS)
- **GBOS-240:**
 - Countersunk head tapping screw 4×20 (SUS)
 - Pan head tapping screw 5×30 (SUS)
 - Raised countersunk head tapping screw 5×30 (SUS)
 - Raised countersunk head tapping screw 5×70 (SUS)



No.	Part Name	Material	Finish / Colour
①	Body	Stainless Steel (SUS304)	Satin
②	Lever	Brass	Nickel
③	Cover	EPDM	Black

Part No.	A	B	C	D	E	F	G	H	I	J	K	L	Load Capacity / pc
GBOS-180	181	181	162	42	12	155	56	11.5	50	65	26	45.5	392 N 40 kg
GBOS-240	240	250	215	80	25	220	70	15	64	81	29	49	325 N 33 kg